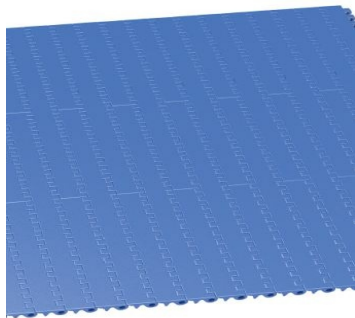
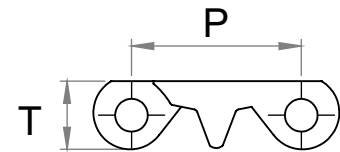






SP- SMPB (STRAIGHT RUNNING)

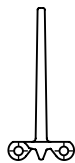


Flat top



Description	mm	inch
Pitch (P)	25.4	1
T	10.2	0.4
Rod (Ø)	5	0.19
Surface type	flat	
Color	 	
Material	PP / POM	
Curve	No	

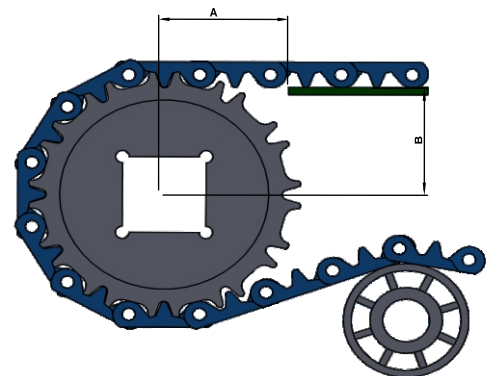
ACCESSORIES



Cleat height - 2",3"

SP-SMPB (SPROCKET)

Teeth (Z)	Pitch (mm)	A	B	M/C		M/D	
				S	W	S	W
8	64	33	27	●	20		
12	98	40	43	★	35	■ 40	37.5
16	130	42	59	★	35		
20	162	50	75	★	40		



* Type of bore : ★ - round & square , ■ - square, ● - round

* For material availability contact our sales team

* M/C - Machined solid, M/D - Moulded solid, S - Availability , W - Sprocket Width